

# RINGER Protection bracket for the roof

## User information: Protection against fall in roof area

RINGER protection bracket is used as a fall protection during work in the roof and edge areas according to Austrian norm ÖNORM B4007 as well as regulations of safety construction work and complies with ÖNORM EN 13374 Class „C“. It can be used for any falling height when slope of the roof is up to 45°, and up to 60° maximum falling height is 5,0m

### Advantages:

- Can be fixed by one person; allows full coverage of roof area
- Large free area for mounting of rain water pipes
- Guardrail is pluggable, therefore easy handling
- Position of guardrail is 70 or 90°, therefore can be used for flat roofs as well
- Chain is used for safeguarding the railing as well as for convenient handling while dismantling
- Disassembly of the bracket is possible also from the roof

### Usage:

- Fixing at minimum 50 cm long (min 10 x14 cm) bare rafter
- Stress area 8 -18 cm
- Maximal distance between brackets 2,0 m
- Planks minimal size 15 x 3 cm

### Mounting:

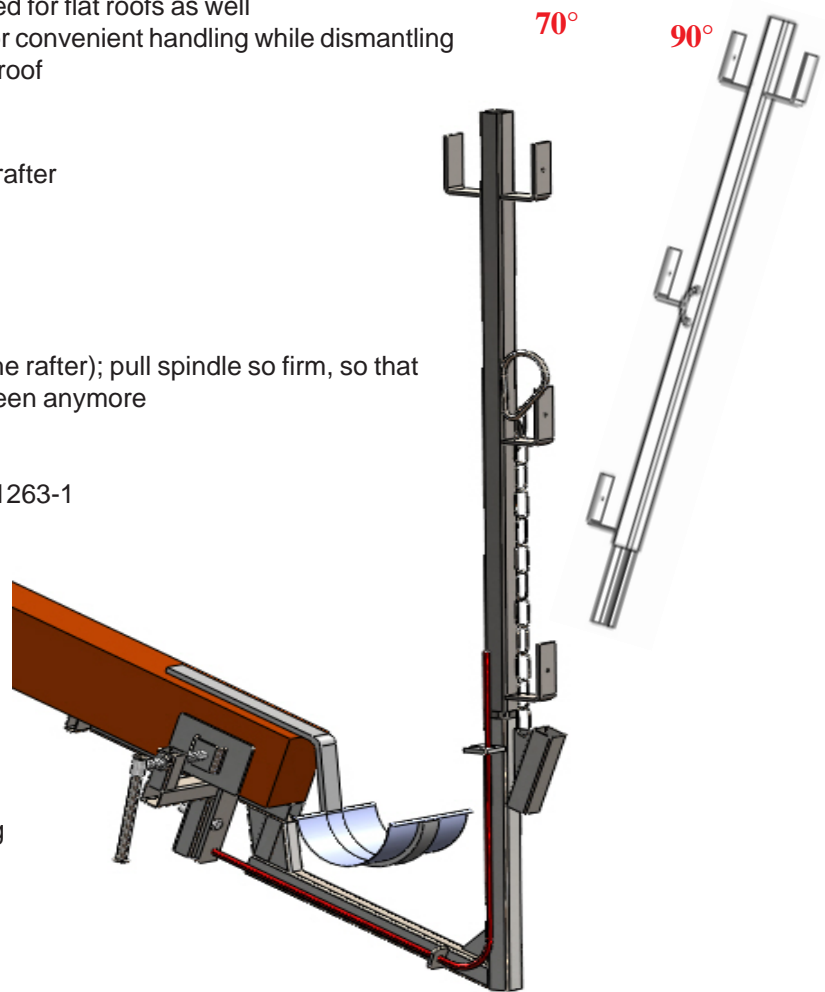
- Place bracket on the rafter (tube should not endure the rafter); pull spindle so firm, so that spikes are pressed completely in wood and are not seen anymore
- Fit in guardrail and hand the chain
- Place in planks, fix with nails
- Fixing of side protection net TYPE „U“ according EN 1263-1
  - at the top: with belt fastener at plank
  - in the middle: with carabiner
  - at the bottom: with carabiner at edge cord

**Attention:** the net should not have any tension and slack should be 20 cm

Please study safety net user information!

### Dismounting:

- Remove guardrail
- Release unlocking device from connecting rod holding firmly the bracket



Item	Art.No.	Weight
Protection bracket incl. guardrail galvanized	270V5	16,00 kg
Side safety net 2 x 10 m	254 871	5,60 kg

technical details are subject to change!