

# ST 2000 Uni Panel

## Uni panel:

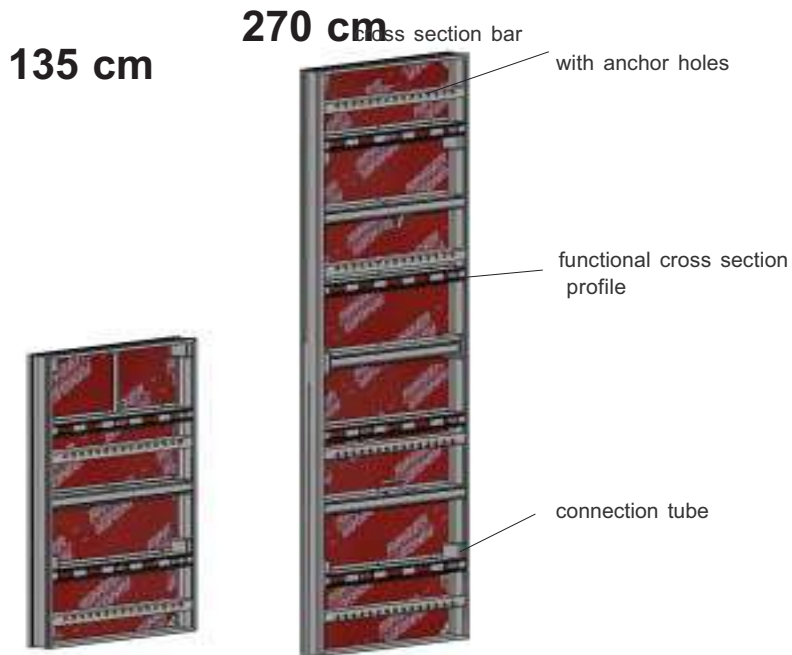
Uni panels are the best solution for casting columns or stop-ends.

Very quick assembly and dismantling reduce considerably labour costs.

Holes raster 5 cm allows to vary column cross section size from 20 to 80 cm

Frames are made of hot-dip galvanized quality steel .

Panels can be equipped with phenolic coated or plastic coated plywood.



-To connect ST 2000 panels only multi purpose connecting bolts and combi plates are required.

(16 pcs with column height 270 cm, 8 pcs with panel height 135 cm)

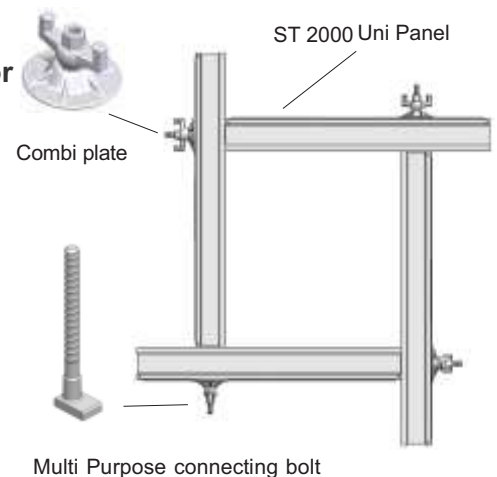
Column cross section cut from 20 up to 80 cm

Height extension up to 5,4m possible

Concrete pressure 60 kN/m<sup>2</sup>

**Attention: Unused holes should be closed with brown tie cones for Uni Panels**

Item	Art.Nr.	Weight
ST2000 Uni Panel 270/90 galvanized	531 901	84,0 kg
ST2000 Uni Panel 270/90 galvanized with plastic coated plywood	E531 901	87,0 kg
ST2000 Uni Panel 135/90 galvanized	531 903	43,0 kg
ST2000 Uni Panel 135/90 galvanized with plastic coated plywood	E531 903	44,0 kg
Combi Plate galvanized	407V77	1,0 kg
Multi Purpose connecting bolt galvanized	407V9	0,5 kg
Brown Tie Cones for Uni Panels (200 pcs/package)	441 14	3,0 g



AN 01/16

TECHNIK FÜR DEN BAU